



FS20 Range of Fuel Selectors



The FS20 range consists of 7 models of Fuel Selector which are currently available from Andair. From a simple ON/OFF shut off valve to a more complex 5 way selector (4 tanks and OFF), all of the valves come with some superb features:

- Smooth action between each tank selection
- Safety button that must be raised to switch OFF the fuel, this helps to prevent inadvertent fuel shut off.
- Clearly labeled fascia plate, this can be custom engraved.
- Choice of lower fitting.
- Choice of side fittings.
- All units can be operated with an extension and universal joints.

FS20 Models

FS20x1 - ON|OFF (90 degree action shut OFF Valve)

FS20x2 - LEFT|RIGHT|OFF (90 degrees between LEFT and RIGHT)

FS20x3 - LEFT|RIGHT|OFF (180 degrees between LEFT and RIGHT)

FS20x4 - LEFT|BOTH|RIGHT|OFF (90 degrees action between each position)

FS20x5 - LEFT|MAIN|RIGHT|OFF (90 degrees action between each position)

FS20x7 - LEFT|RIGHT|OFF (90 degrees action between LEFT and RIGHT [45 each side of centerline])

FS20x8 - LEFT TIP|LEFT MAIN|RIGHT MAIN|RIGHT TIP|OFF (5 way selector including OFF)

Andair Ltd
Unit 1, Dunsbury Business Park,
Fulflod Road,
Havant, Hampshire
PO9 5AX, England

Tel +44(0) 2392 473 945
 Fax +44(0) 2392 473 946
 e-mail - info@andair.co.uk
 web - www.andair.co.uk

Andair Ltd
 Unit 1, Dunsbury Business Park,
 Fulflood Road,
 Havant, Hampshire
 PO9 5AX, England

Tel +44(0) 2392 473 945
 Fax +44(0) 2392 473 946
 e-mail - info@andair.co.uk
 web - www.andair.co.uk



PRODUCT - Selector Valve - Type 1

SPEC SHEET

FS20x1_{REV1}

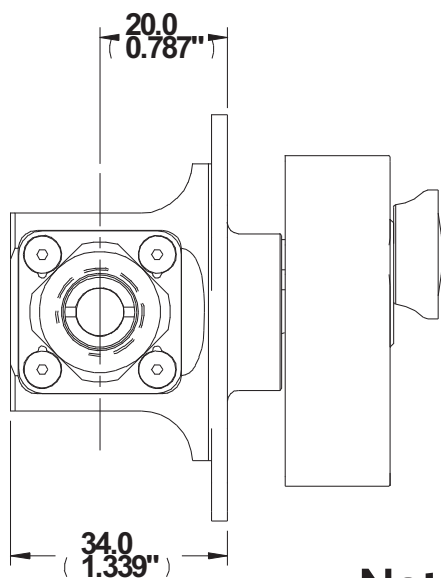
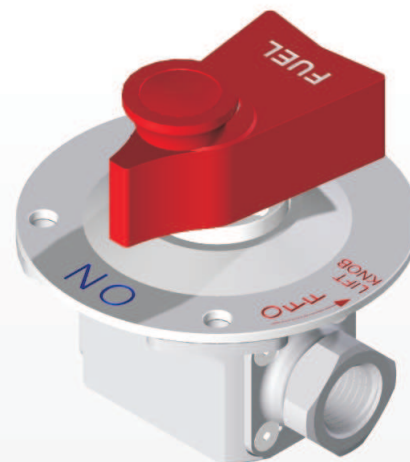
The FS20x1 is a simple shut off valve and has the two positions, ON - OFF, with a 90 degree action between each position. The action is smooth and easy. On top of the lever is the safety button which must be raised to switch off the fuel. This helps prevent the fuel being accidentally turned off.

On the FS20x1 there are two ports and either port can be used as the inlet or outlet. Both fittings can be customised during the ordering process. It is Chromic anodised for corrosion protection, and is satisfactory for all fuel types.

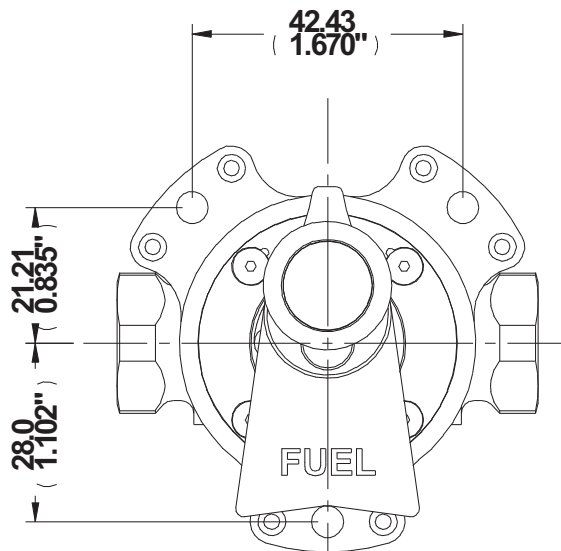
Options available include :-

Extension Equipment.

Special Engraving: On the FS20x1 the 'ON' text can be customised.

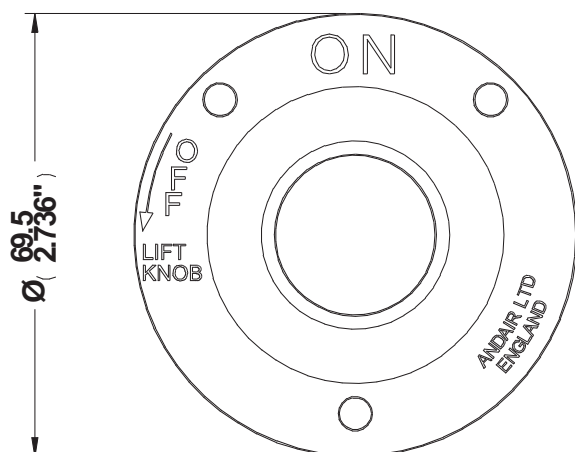


Side View

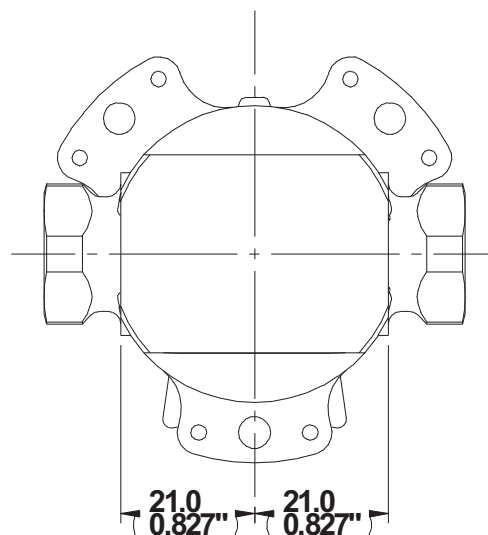


Not to scale

Front View



Facia Plate



Rear View

Andair Ltd
Unit 1, Dunsbury Business Park,
Fullood Road,
Havant, Hampshire
PO9 5AX, England

Tel +44(0) 2392 473 945
 Fax +44(0) 2392 473 946
 e-mail - info@andair.co.uk
 web - www.andair.co.uk



PRODUCT - Selector Valve - Type 2

SPEC SHEET
FS20x2_{REV1}

The FS20x2 is a three way fuel selector with the positions LEFT - RIGHT - OFF. There is a 90 degree action between each tank selection. This style was the first that Andair produced and has subsequently laid down the foundation for the entire range. The FS20x2 has no lower fitting which means that it is ideal for areas where there is little space behind the valve.

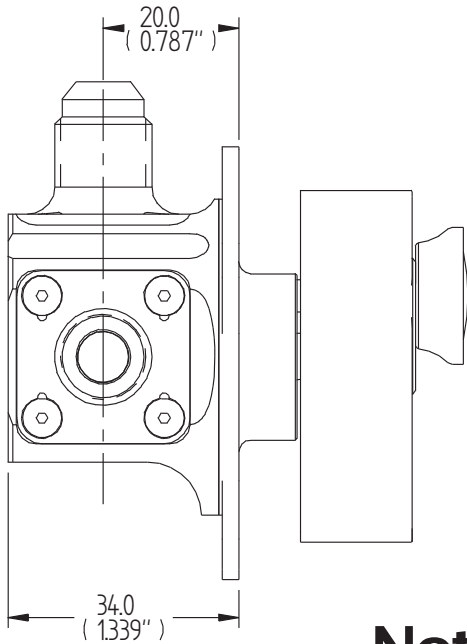
This valve has the inlets ports at the Left and Right hand side and the outlet towards the front, each fitting can be customised during the ordering process. It is Chromic anodised for corrosion protection, and is satisfactory for all fuel types.

When the valve is in the OFF position there is no crossfeed between the tanks.

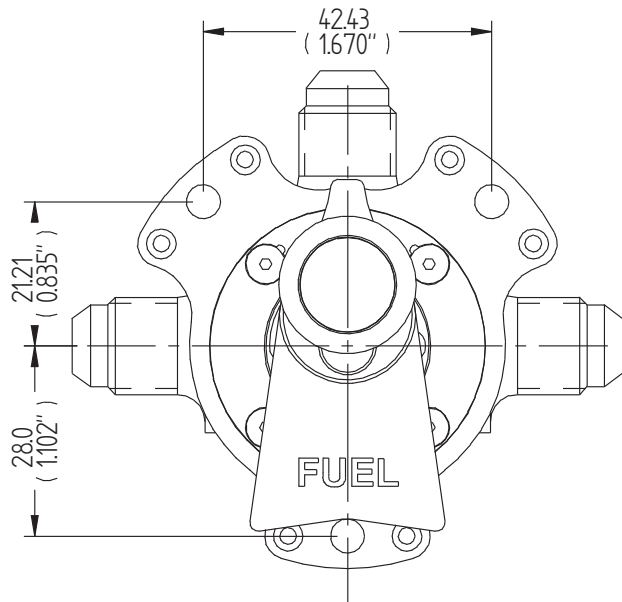
Options available include :-

Extension Equipment.

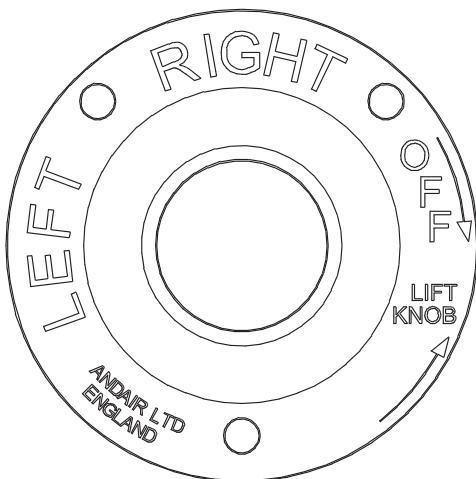
Special Engraving: On the FS20x2 the 'LEFT' and 'RIGHT' text can be customised.



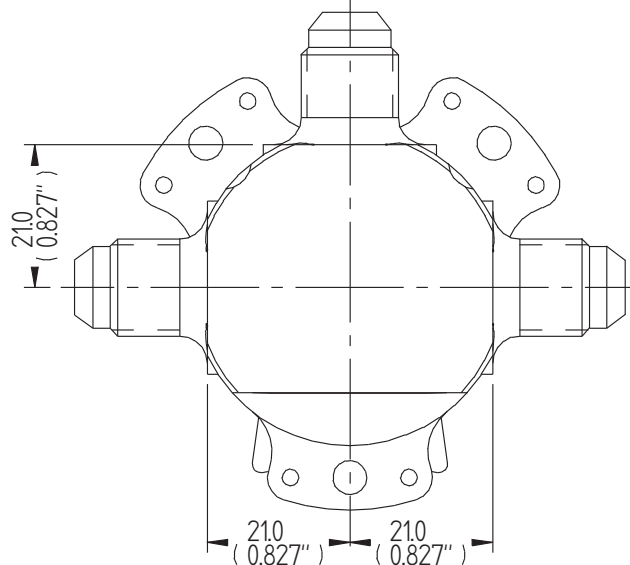
Side View



Not to scale Front View



Facia Plate



Rear View

Andair Ltd
 Unit 1, Dunsbury Business Park,
 Fulflood Road,
 Havant, Hampshire
 PO9 5AX, England

Tel +44(0) 2392 473 945
 Fax +44(0) 2392 473 946
 e-mail - info@andair.co.uk
 Web - www.andair.co.uk



PRODUCT - Selector Valve - Type 3

**SPEC SHEET
 FS20x3_{REV1}**

The Fs20x3 is the most popular valve that Andair produce. It is a three way selector with the positions LEFT - RIGHT - OFF. There is a 180 degree action between the left and right, giving it a logical arrangement. The valve has a beautifully smooth action between tanks which is an important feature when one is normally switching tanks every 20 minutes or so. A strong, firm detent at each tank position gives a welcome reassurance that the valve is in the correct position. The valve comes with a Clearly labeled fascia plate.

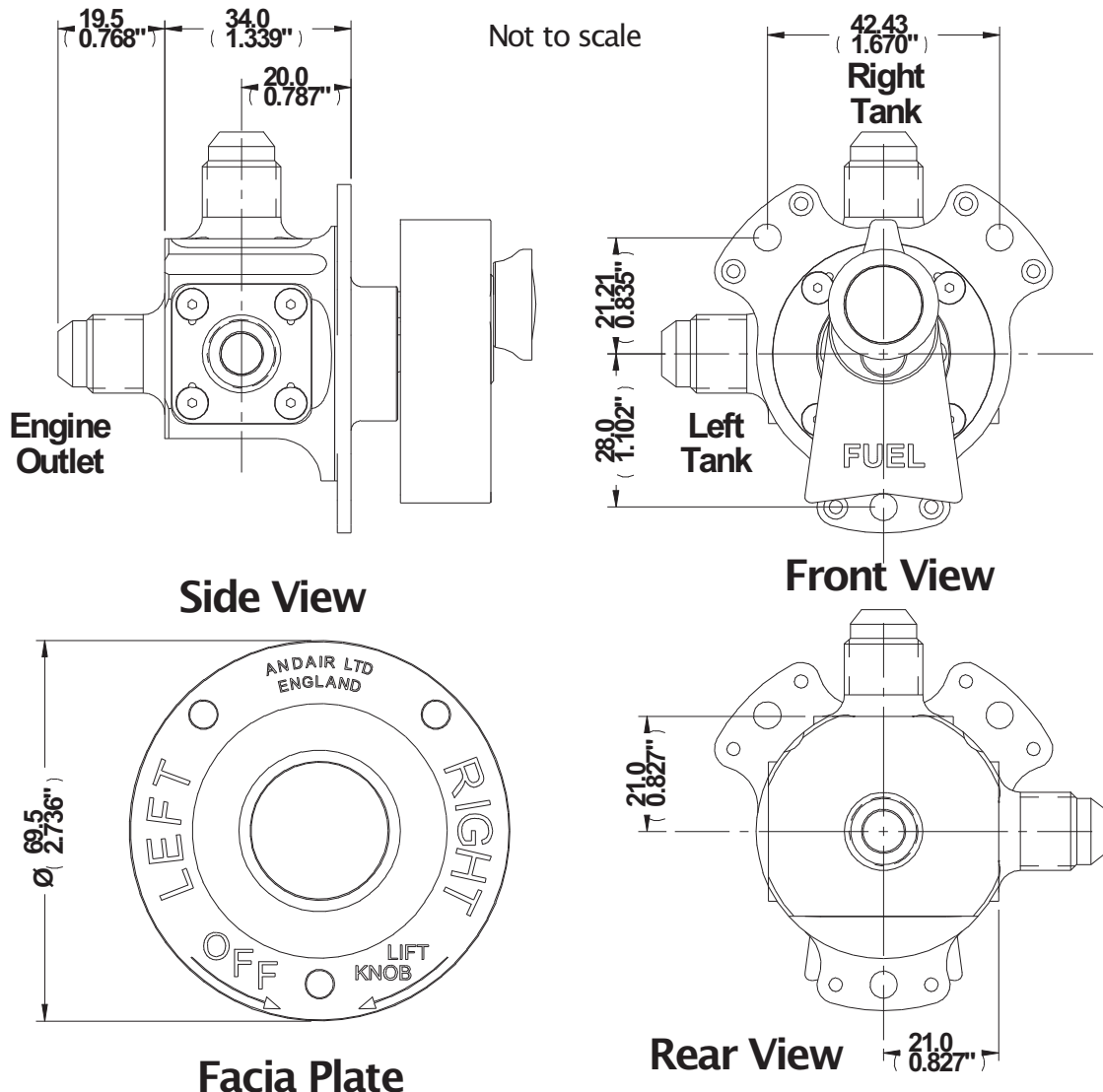
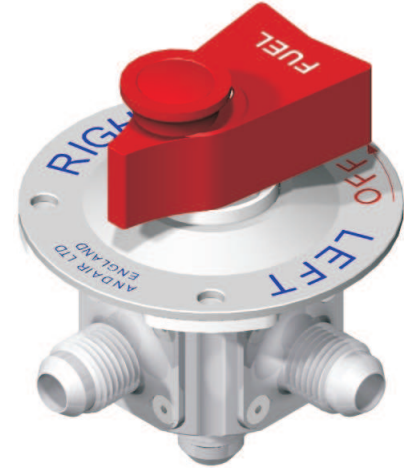
On the FS20x3 there are 3 ports. The lower port is the outlet to the engine and can be Male AN-6, Female 1/4 NPT or a Banjo fitting which is a 360 degree adjustable fitting with either a male AN-4, AN-6, 1/4" Hose or 3/8" Hose end. This can be configured whilst ordering from our website.

The inlet, side ports can be any of the 3/8" fittings that Andair supplies and are at the 9 O'clock and 12 O'clock positions when looking at the valve with the spindle pointing upwards.

When the valve is in the OFF position there is no crossfeed between the tanks.

Options available include :-
 Extension Equipment.

Special Engraving: On the FS20x3 the 'LEFT' and 'RIGHT' text can be customised.



Andair Ltd
 Unit 1, Dunsbury Business Park,
 Fulflood Road,
 Havant, Hampshire
 PO9 5AX, England

Tel +44(0) 2392 473 945
 Fax +44(0) 2392 473 946
 e-mail - info@andair.co.uk
 web - www.andair.co.uk



PRODUCT - Selector Valve - Type 4

SPEC SHEET
 FS20x4_{REV1}

The FS20x4 Fuel Selector is designed for high wing aircraft where it is possible to feed from both tanks simultaneously. Porting for the both position is done internally so there is no need to T the two tanks together. There is a smooth 90 degree action between each selection and a strong, firm detent gives a welcome reassurance that the valve is in the correct position, and has the safety feature where the red button on the lever has to be raised to switch off the fuel. The valve comes with a clearly labeled fascia plate. It is Chromic anodised for corrosion protection, and is satisfactory for all fuel types.

The FS20x4 has three ports. The lower port is the outlet to the engine and can be Male AN-6, Female 1/4 NPT or a Banjo fitting which is a 360 degree adjustable fitting with either a male AN-4, AN-6, 1/4" Hose or 3/8" Hose end. This can be configured whilst ordering from our website.

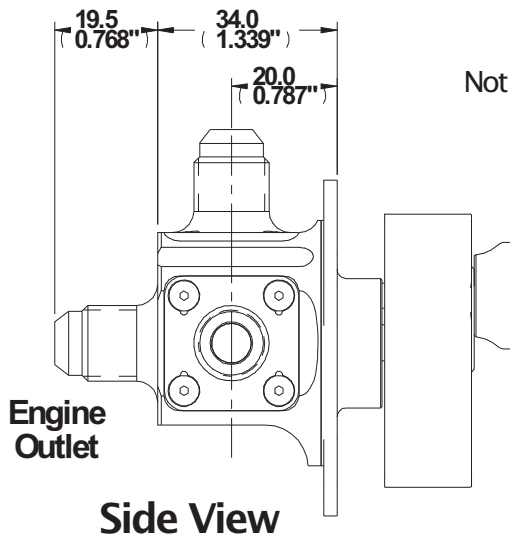
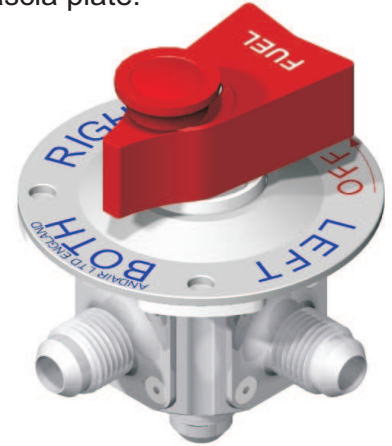
The inlet, side ports can be any of the 3/8" fittings that Andair supply and are at the 9 O'clock and 12 O'clock positions when looking at the valve with the spindle pointing upwards.

When the valve is in the OFF position there is no crossfeed between the tanks.

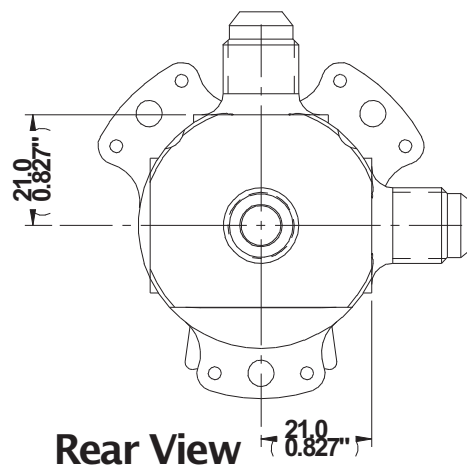
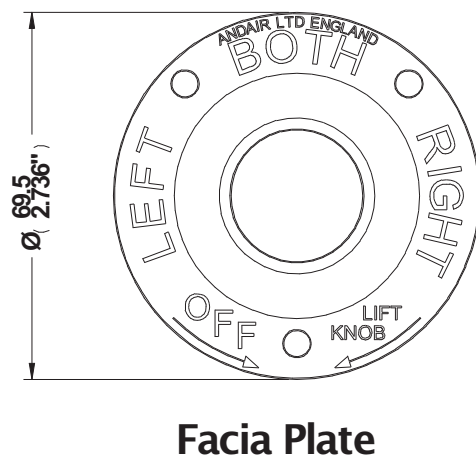
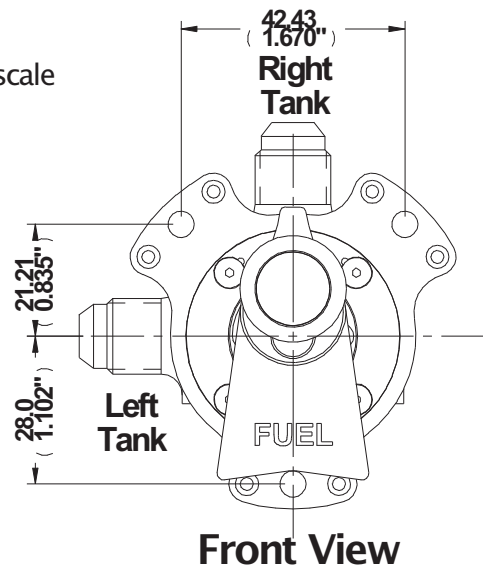
Options available include :-

Extension Equipment.

Special Engraving: On the FS20x4 the 'LEFT' and 'RIGHT' text can be customised.



Not to scale



Andair Ltd
Unit 1, Dunsbury Business Park,
Fulflood Road,
Havant, Hampshire
PO9 5AX, England

Tel +44(0) 2392 473 945
 Fax +44(0) 2392 473 946
 e-mail - info@andair.co.uk
 web - www.andair.co.uk



PRODUCT - Selector Valve - Type 5

SPEC SHEET

FS20x5_{REV1}

The FS20x5 is a 4 way Fuel Selector (3 tanks and OFF) and has the positions LEFT - MAIN - RIGHT - OFF, each at 90 degree intervals. The valve has a very smooth action and a reassuringly firm detent in each tank selection. To aid the pilot further the fascia plate is clearly labeled with the tank name, the standard colour is blue lettering for the tanks and red for the OFF position, however the engraving on the fascia plate can be customised during ordering.

As a safety feature the valve is fitted with a Safety Button, which must be raised to switch off the fuel supply to the engine. This helps to prevent inadvertent switch off.

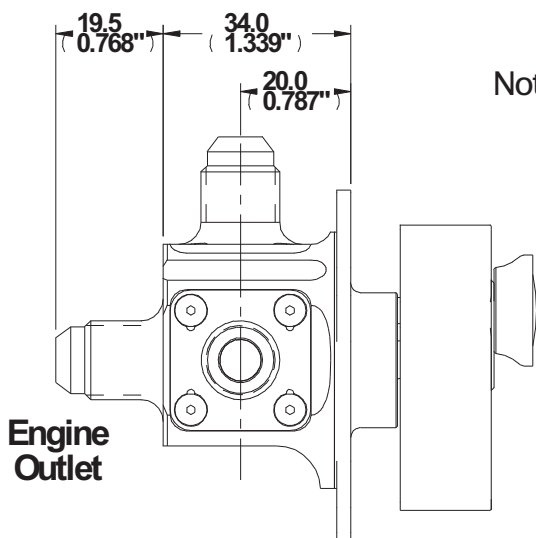
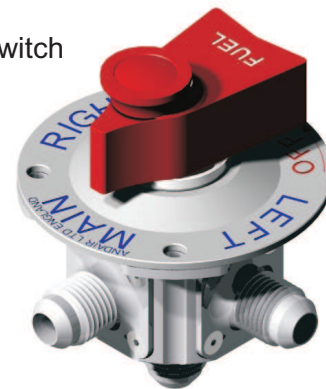
The inlet ports are around the side of the valve and can be any of the 3/8" fittings that Andair supply. The outlet to the engine is at the bottom of the valve and can be Male AN-6, Female 1/4 NPT or a Banjo fitting which is a 360 degree adjustable fitting with either a male AN-4, AN-6, 1/4" Hose or 3/8" Hose end. This can be configured while ordering from our website.

When the valve is in the OFF position there is no crossfeed between the tanks.

Options available include :-

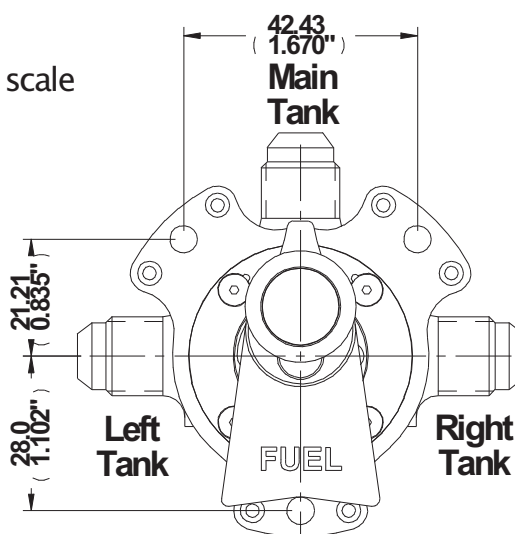
Extension Equipment.

Special Engraving: On the FS20x5 the 'LEFT', 'MAIN' and 'RIGHT' text can be customised.

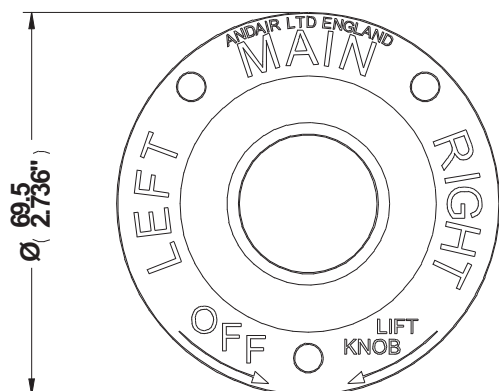


Side View

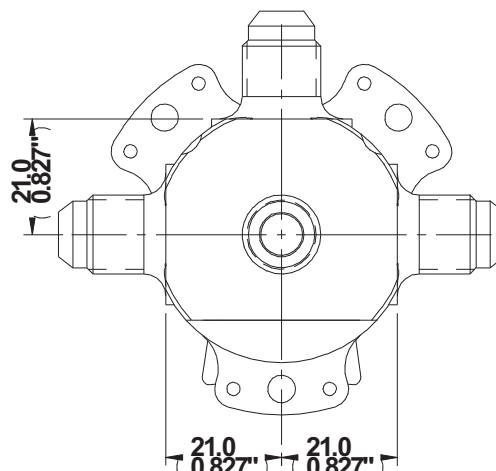
Not to scale



Front View



Facia Plate



Rear View

Andair Ltd
 Unit 1, Dunsbury Business Park,
 Fulflood Road,
 Havant, Hampshire
 PO9 5AX, England

Tel +44(0) 2392 473 945
 Fax +44(0) 2392 473 946
 e-mail - info@andair.co.uk
 web - www.andair.co.uk



PRODUCT - Selector Valve - Type 7

SPEC SHEET
 FS20x7_{REV1}

The FS20x7 has been designed for easy fitting and operation. It is a 3 way Fuel Selector with the positions LEFT - RIGHT - OFF, and has a smooth action with firm detents. The set-up of this valve is such that the LEFT and RIGHT tank positions are at 45 degrees to centre-line of the aircraft, with the OFF position to the rear, maintaining a logical arrangement (as in the Fs20x3). A clearly labeled fascia plate is included.

The valve is Chromic anodised for corrosion protection, and is satisfactory for all fuel types.

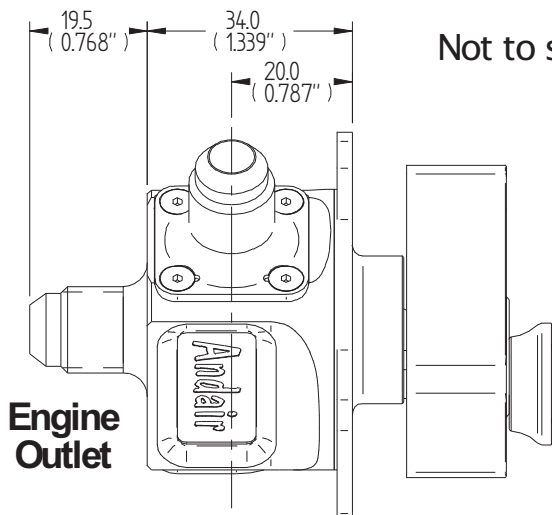
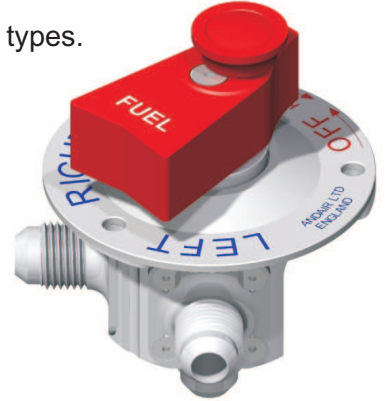
When the valve is in the OFF position there is no crossfeed between the tanks.

Options available include :

Choice of Fittings.

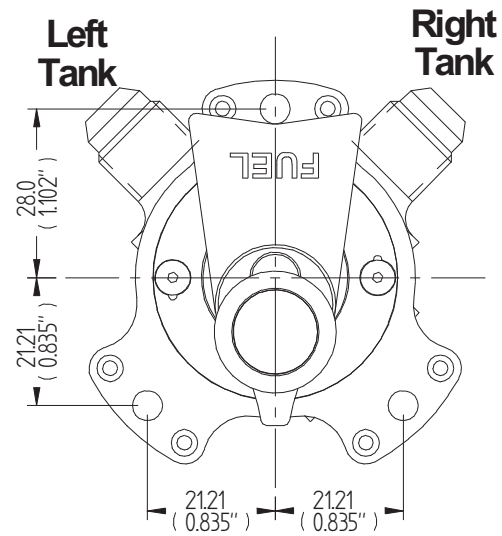
Extension Equipment.

Special Engraving: On the FS20x7 the 'LEFT' and 'RIGHT' text can be customised.

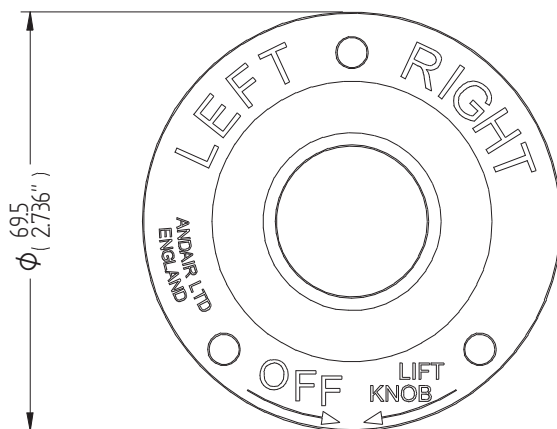


Side View

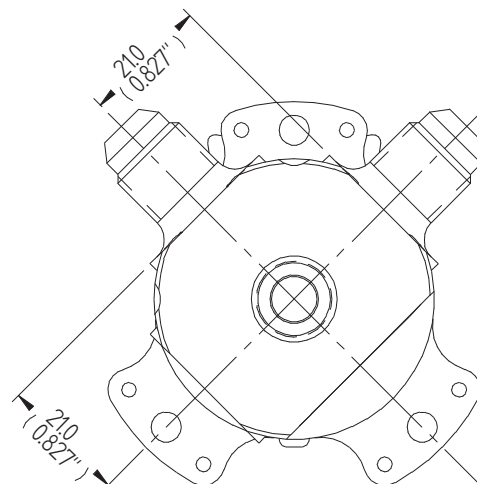
Not to scale



Front View



Facia Plate



Rear View

Andair Ltd
 Unit 1, Dunsbury Business Park,
 Fulflood Road,
 Havant, Hampshire
 PO9 5AX, England

Tel +44(0) 2392 473 945
 Fax +44(0) 2392 473 946
 e-mail - info@andair.co.uk
 web - www.andair.co.uk



PRODUCT - Selector Valve - Type 8

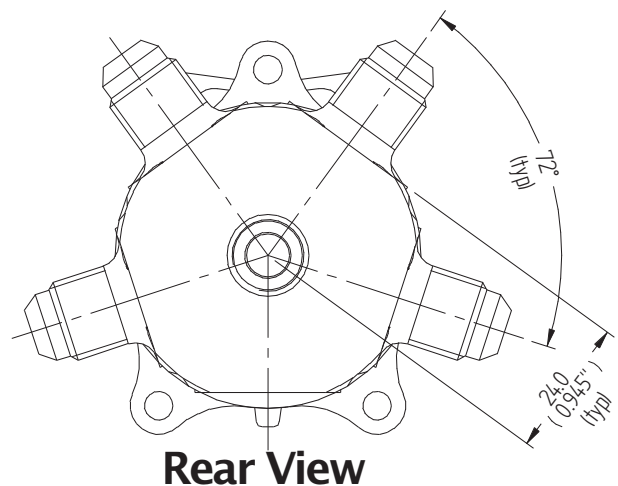
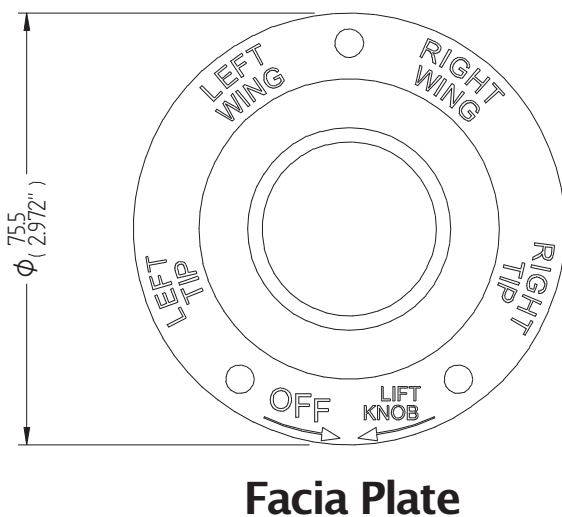
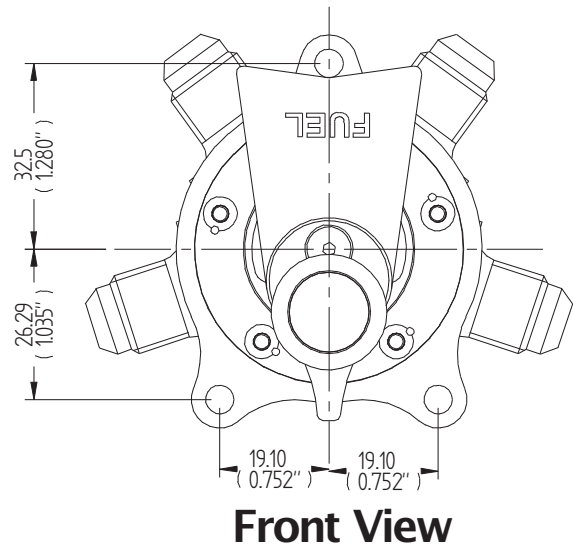
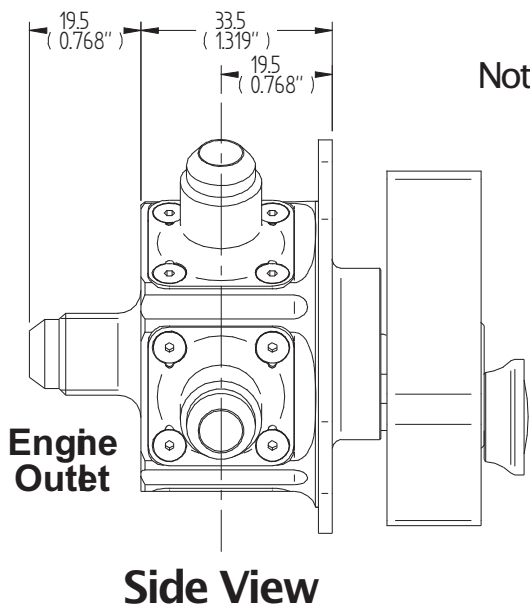
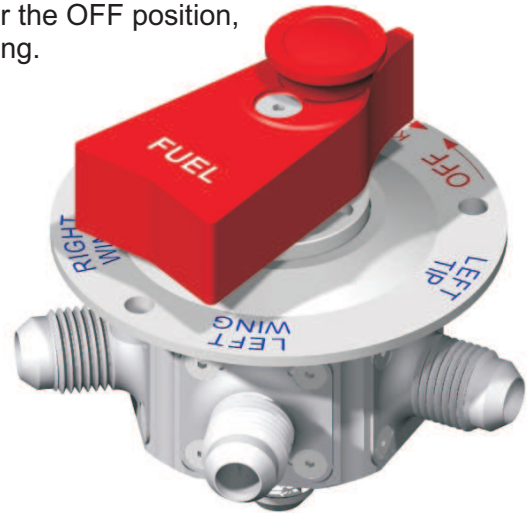
SPEC SHEET
FS20x8_{REV1}

The FS20x8 is a 5 way Fuel Selector (4 tanks and OFF) and has the positions LEFT TIP - LEFT - RIGHT - RIGHT TIP - OFF, each at 72 degree intervals. The valve has a very smooth action and a reassuringly firm detent in each tank selection. To aid the pilot further the fascia plate is clearly labeled with the tank name, the standard colour is blue lettering for the tanks and red for the OFF position, however the engraving on the fascia plate can be customised during ordering.

As a safety feature the valve is fitted with a Safety Button, which must be raised to switch off the fuel supply to the engine. This therefore helps to prevent inadvertent switch off.

The inlet ports are around the side of the valve and the outlet is at the bottom of the valve. When the valve is in the OFF position there is no crossfeed between the tanks.

Options available include :-
 Choice of Fittings.
 Extension Equipment.
 Special Engraving.



Andair Ltd
Unit 1, Dunsbury Business Park,
Fulflood Road,
Havant, Hampshire
PO9 5AX, England

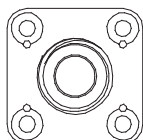
Tel +44(0) 2392 473 945
 Fax +44(0) 2392 473 946
 e-mail - info@andair.co.uk
 web - www.andair.co.uk



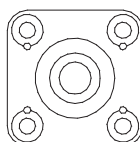
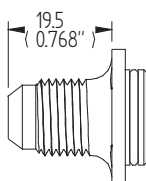
FS20 Fittings

SPEC SHEET
FS20FIT
 REV1

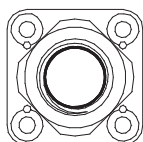
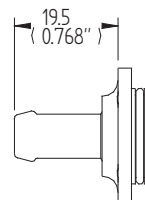
These fittings fit the following products: all FS20, EFS20, FS2020 and EFS2020 fuel selectors, the feed line of the FS22 and EFS22 duplex fuel selectors, the return line of the FS2520 and EFS2520 duplex fuel selectors, and all GAS375 gascolators.



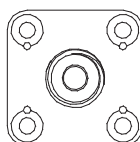
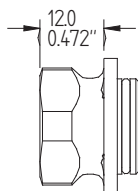
MF20
AN-6 Male
Fitting



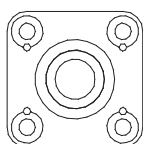
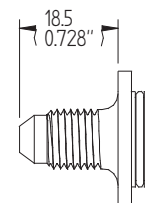
HF20-Q
5/16" Hose
Fitting



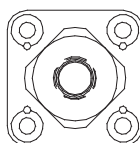
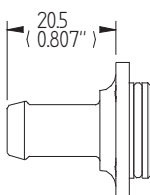
FF20
1/4" NPT
Female Fitting



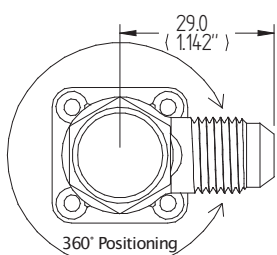
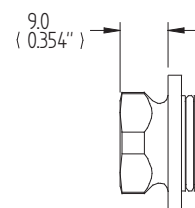
MF20-L
AN-4 Male
Fitting



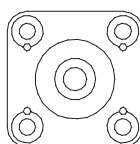
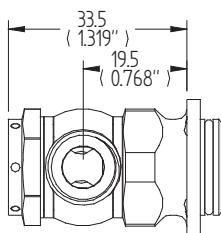
HF20
3/8" Hose
Fitting



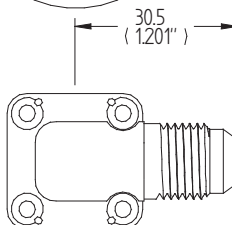
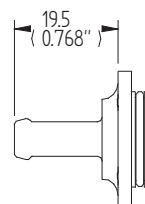
FF20-A
1/8" NPT
Female Fitting



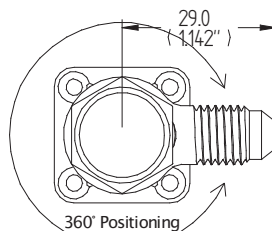
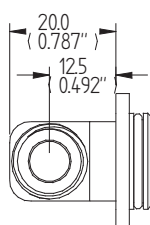
BF20
AN-6 Male
Banjo Fitting



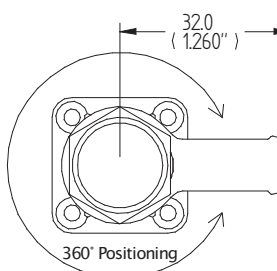
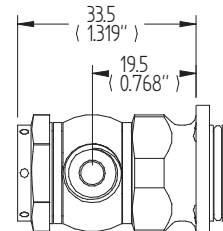
HF20-E
1/4" Hose
Fitting



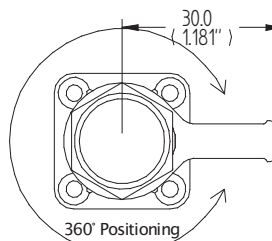
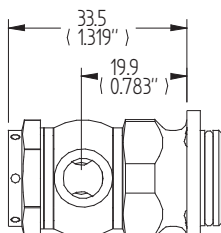
EF20
AN-6 Male
Elbow Fitting



BF20-J
AN-4 Banjo
Fitting



BF20-H
3/8" Hose
Banjo Fitting



BF20-E
1/4" Hose
Banjo Fitting

