

Andair Ltd
Unit 1, Dunsbury Business Park,
Fulford Road,
Havant, Hampshire
PO9 5AX, England

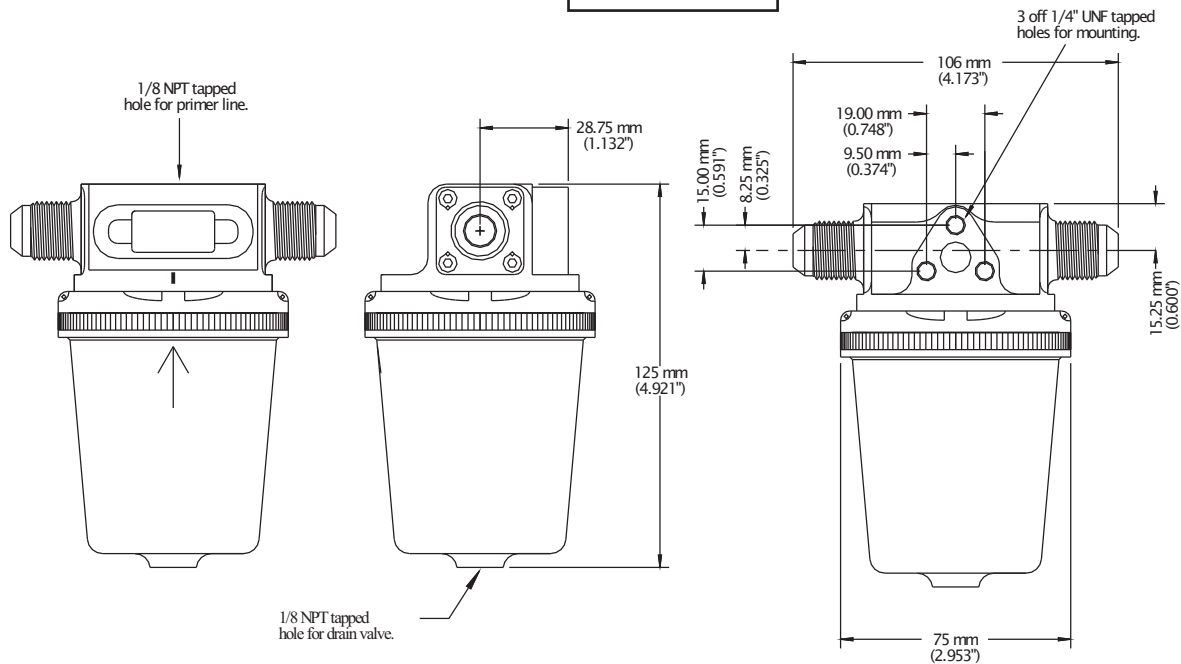
Tel +44(0) 2392 473 945
 Fax +44(0) 2392 473 946
 e-mail - info@andair.co.uk
 web - www.andair.co.uk

Andair
precision aircraft components

PRODUCT - Gascolator GAS500

SPEC SHEET
GAS02_{REV2}

GAS500



Suitable for engines of 500+ HP, the GAS500 is a tough, rugged and compact Gascolator. Precision machined from aircraft grade Aluminium and chromic anodised for protection, this Gascolator is the leader of the field.

On looking at the front of the Gascolator, fuel flows in to the right hand port and exits via the port on the left. The fuel cascades over the filter and fills the bowl. To exit, the fuel must be drawn through the PTFE coated 70 micron Stainless Steel filter screen. The PTFE coating helps prevent the water from passing through by maintaining the water in a droplet formation.

General Specification

- 2 x SP101 fittings
- 1/8" NPT bowl drain and pressure tapping.
- Air bleed vent (Allows air that is trapped in the unit after maintenance to escape).
- Impervious to all known fuels including turbine fuel.
- SWP 100 PSI.
- Weight 287g (excluding fittings).
- Cleanable filter.
- Low pressure loss through unit.



Here the GAS500-F is shown fitted with Female 3/8" NPT fittings

Gascolator Accessories



Drain Valve (DV125)

New to Andairs product line is this all Stainless Steel Drain Valve. Machined with 1/8" NPT and using a Viton O-ring, this drain valve will not corrode or leak.



Collector Cup (CC125)

To sample fuel for water contamination use our new sample cup. It can be used with all standard drain valves and is light and easy to use. The snap on lid prevents the nasty petrol fumes lurking in the cockpit and there's no need to worry about the wind as the cup shields it out. Made from anodised aluminium.