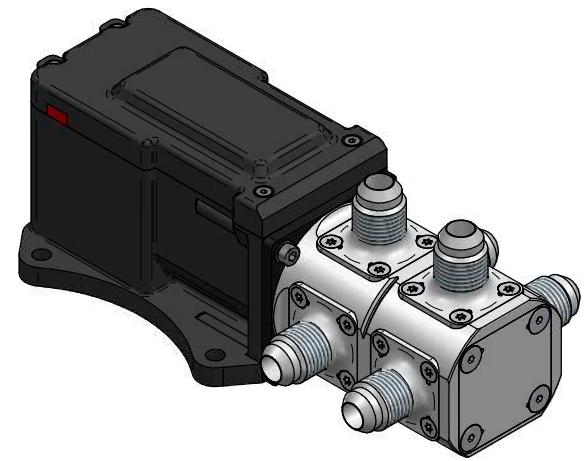
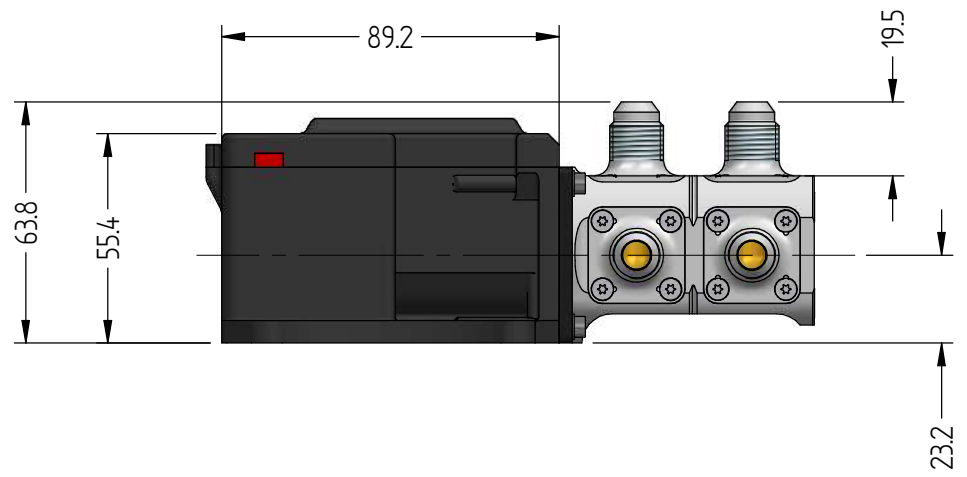
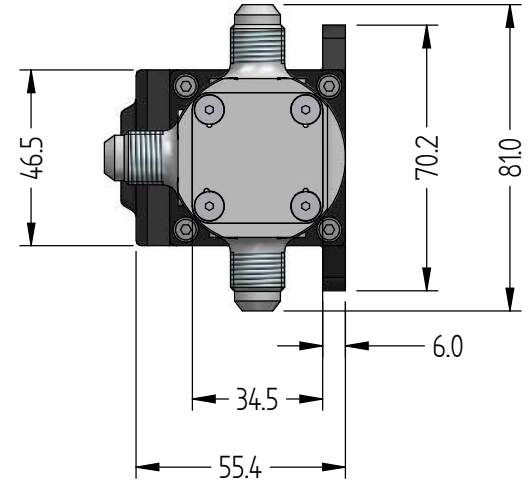
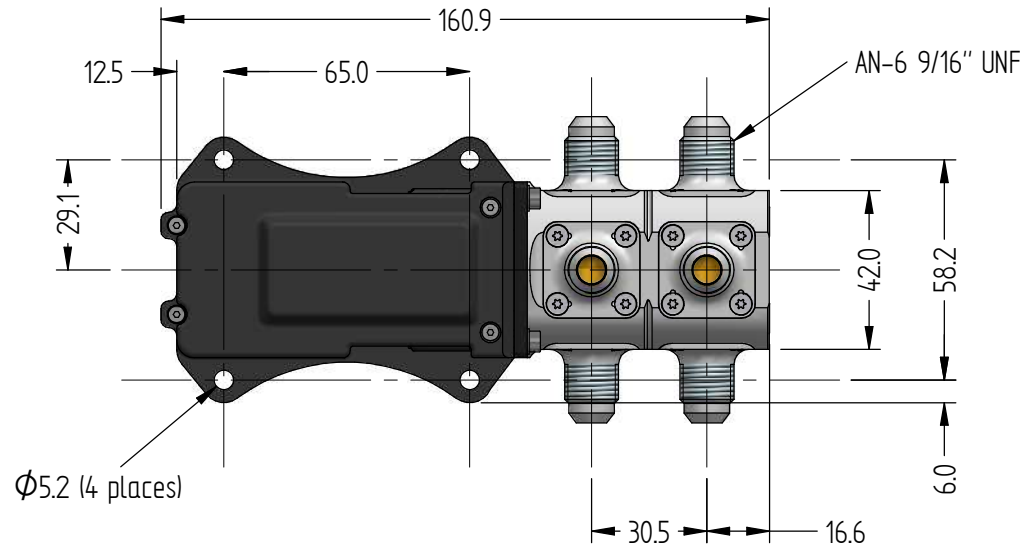


Part No. FS2020-02-M Elec 28V	CAD generated drawing. Do not manually update.	Issue 1	ECN#	Change First Drawn	Date Created 14/01/2019	Drawn by O. Phillips	Date Approved 14/01/2019	Approved by S. Kudinov
----------------------------------	---	------------	------	-----------------------	----------------------------	-------------------------	-----------------------------	---------------------------



	Description:	Part No.
	Electrically Operated Duplex Fuel Selector	FS2020-02-M Elec 28V

ANDAIR Ltd. OWNS THE COPYRIGHT OF THIS DRAWING WHICH IS SUPPLIED IN CONFIDENCE, AND MUST NOT BE USED FOR ANY PURPOSE OTHER THAN FOR WHICH IT IS SUPPLIED AND MUST NOT BE REPRODUCED IN WHOLE OR IN PART WITHOUT THE PERMISSION IN WRITING OF THE OWNERS.