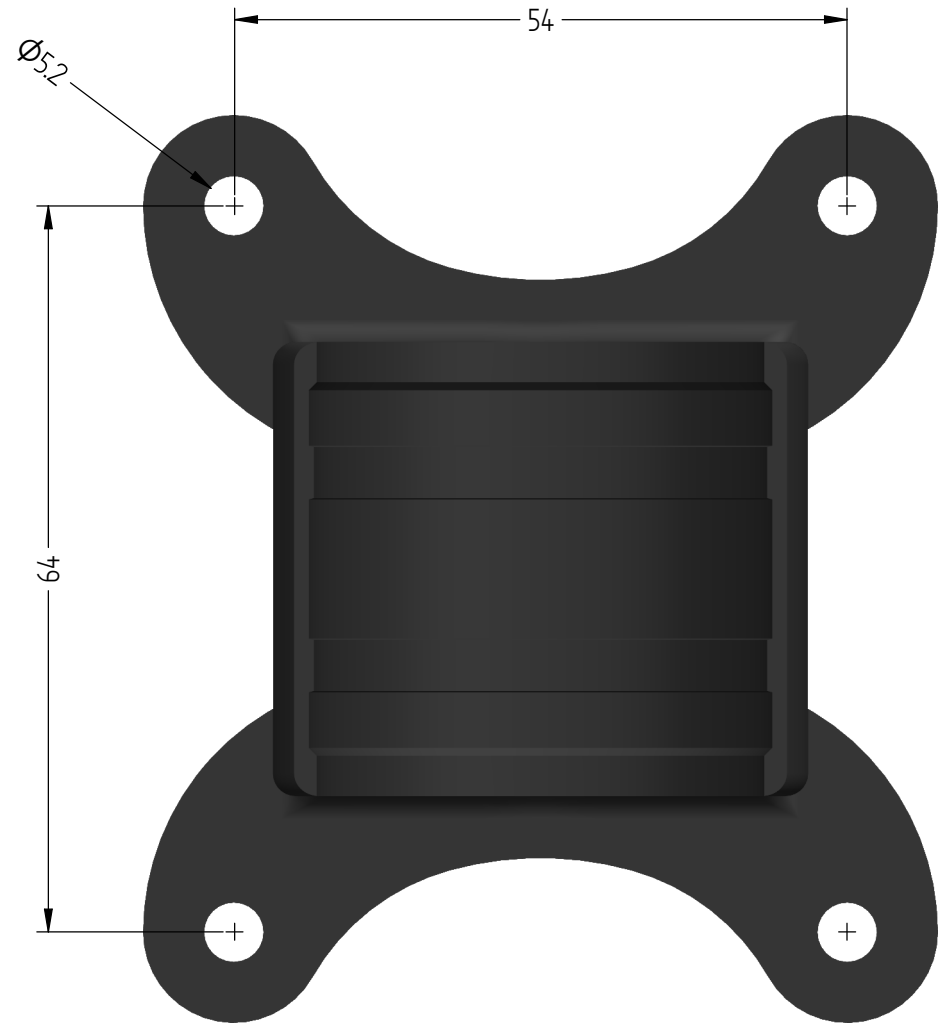
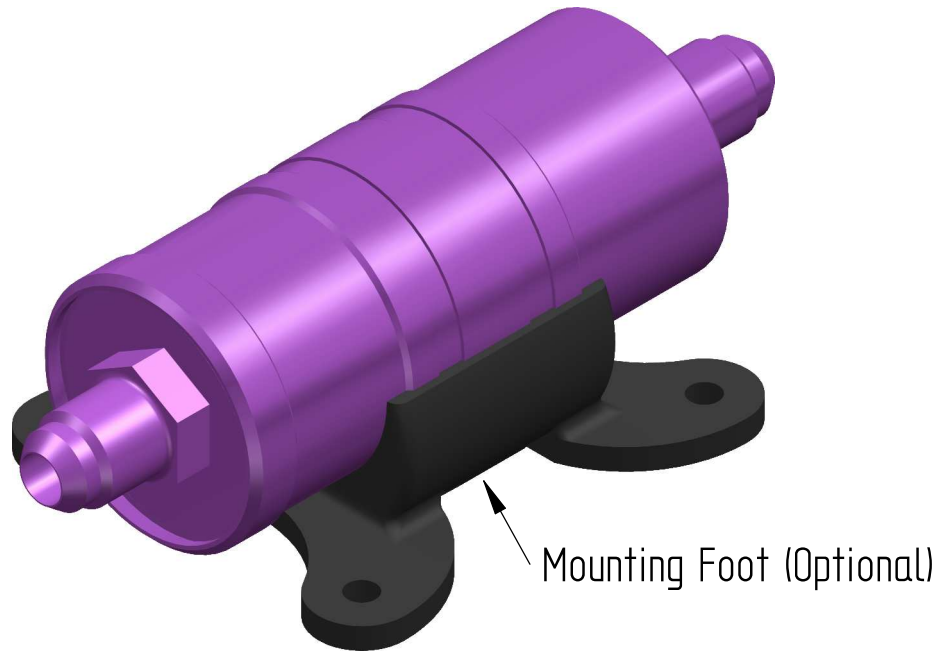


Part No.	CAD generated drawing. Do not manually update.	Issue	ECN#	Change	Date Created	Drawn by	Date Approved	Approved by
FX375-SDF-10MU		1		First Drawn	30/05/2019	S. Kudinov	30/05/2019	O. Phillips



	Description:	Part No.
	INLINE FILTER	FX375-SDF-10MU

Andair Ltd. OWNS THE COPYRIGHT OF THIS DRAWING WHICH IS SUPPLIED IN CONFIDENCE, AND MUST NOT BE USED FOR ANY PURPOSE OTHER THAN FOR WHICH IT IS SUPPLIED AND MUST NOT BE REPRODUCED IN WHOLE OR IN PART WITHOUT THE PERMISSION IN WRITING OF THE OWNERS.