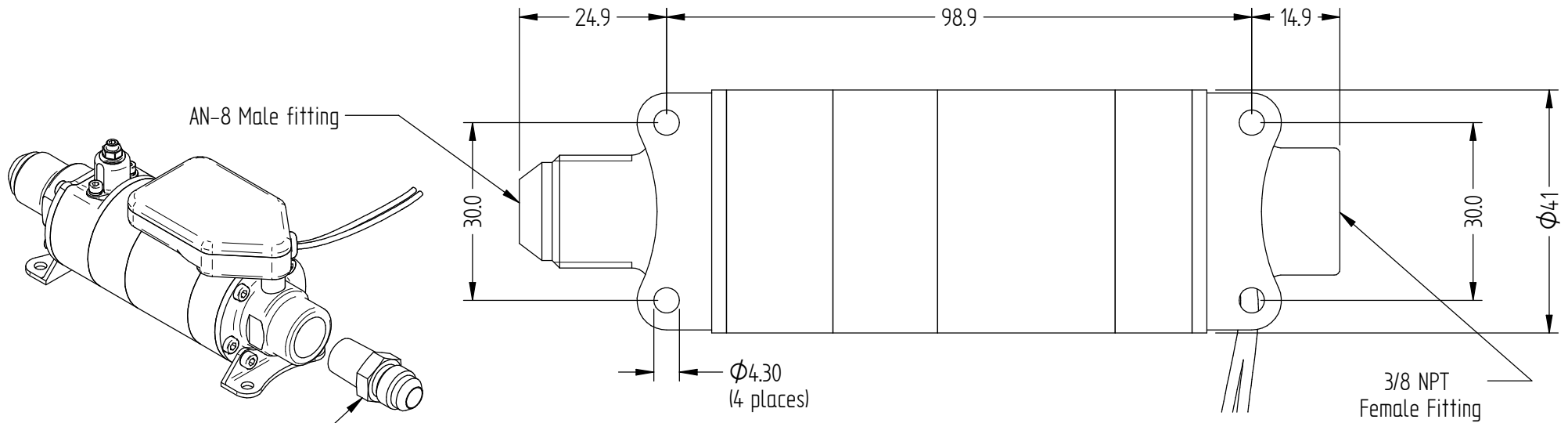
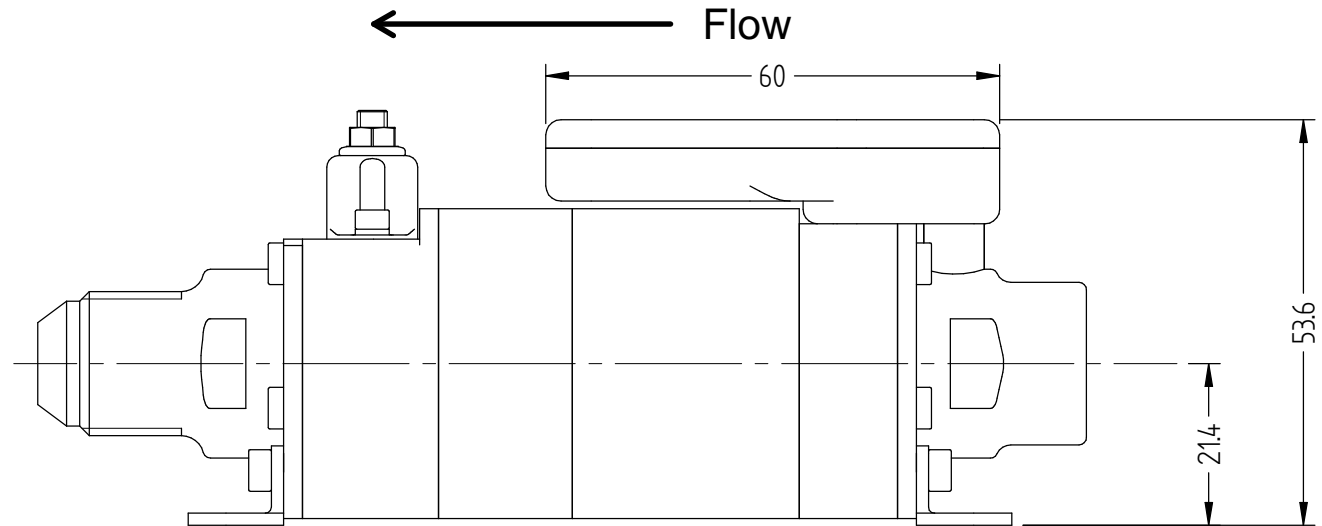
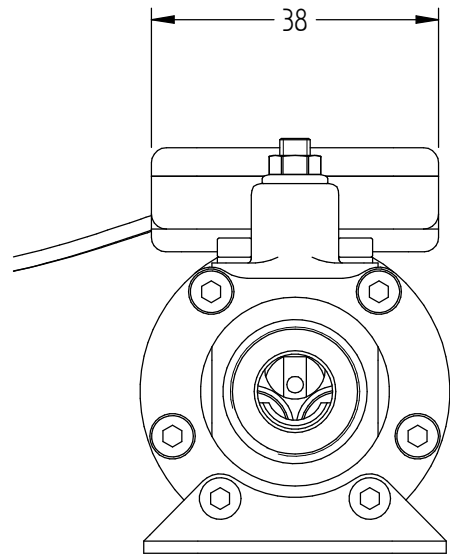


Part No. PX500-TC-28V	CAD generated drawing. Do not manually update.	Issue	ECN#	Change	Date	Drawn	Checked	Approval	Approval Date
		1		First drawn	03/07/2012	A Lindsay			



3/8 NPT to AN -8
Fitting (supplied)

Andair Ltd. OWNS THE COPYRIGHT OF THIS DRAWING WHICH IS SUPPLIED IN CONFIDENCE, AND MUST NOT BE USED FOR ANY PURPOSE OTHER THAN FOR WHICH IT IS SUPPLIED, AND MUST NOT BE REPRODUCED IN WHOLE OR IN PART WITHOUT THE PERMISSION IN WRITING OF THE OWNERS.

Andair Ltd.

All dimensions are in millimeters.

Tolerances unless otherwise specified :

x. : ± 0.40

x.x : ± 0.20

x.xx : ± 0.10



Material:

Description:

Fuel Pump

Part No.

PX500-TC-28V